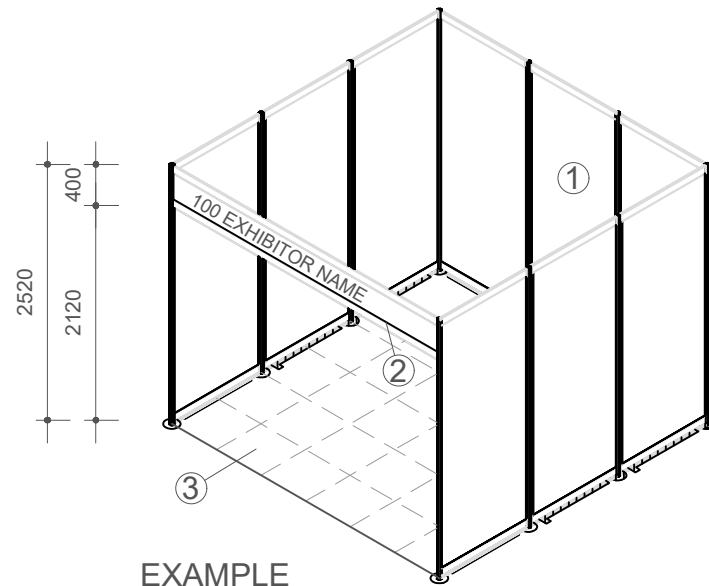
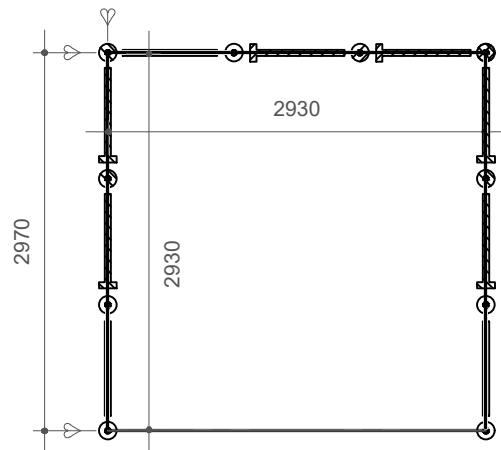


## PLMA's World of Private Label 28-29 May 2024



EXAMPLE



TOP VIEW / SPACE MEASUREMENTS

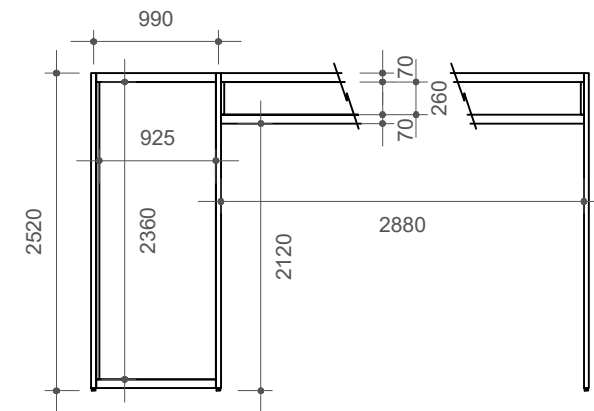
### SHELL SCHEME STAND EXAMPLE 1-Unit, 3x3 mtr. stand (one side open)

- ① White walls, separating exhibitors
- ② Fascia, showing exhibitor name (as listed in the official trade show catalogue) and stand number
- ③ Grey carpet tiles

- Submit Shell Stand Form on PLMA's Exhibitor portal -

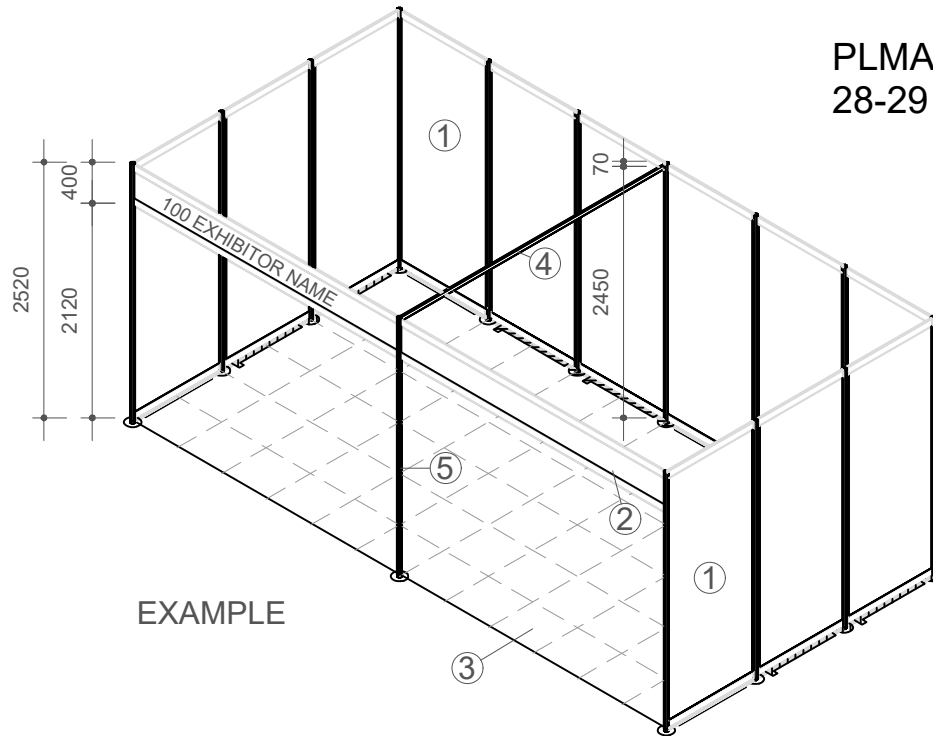
### CONTACT GIELISSEN FOR:

- \* Stand necessities: electricity & lighting, furniture, signage, audio-video, shell scheme additional, floor covering, raised floor, water, floral decoration, photography
  - \* Position of nearest service ducts
  - \* Complete stand packages
- Submit Grid Form on Gielissen's Online Contractor Manual -



WALL AND FASCIA

# PLMA's World of Private Label 28-29 May 2024



EXAMPLE

## SHELL SCHEME STAND EXAMPLE 2-Unit, 3x6 mtr. stand (one side open)

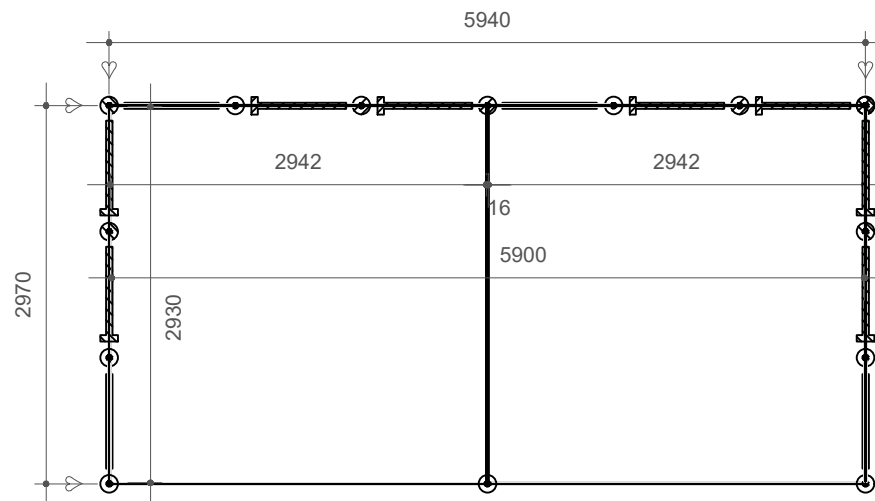
- ① White walls, separating exhibitors
- ② Fascia, showing exhibitor name (as listed in the official trade show catalogue) and stand number
- ③ Grey carpet tiles
- ④ Ceiling plinth
- ⑤ Pole

- Submit Shell Stand Form on PLMA's Exhibitor portal -

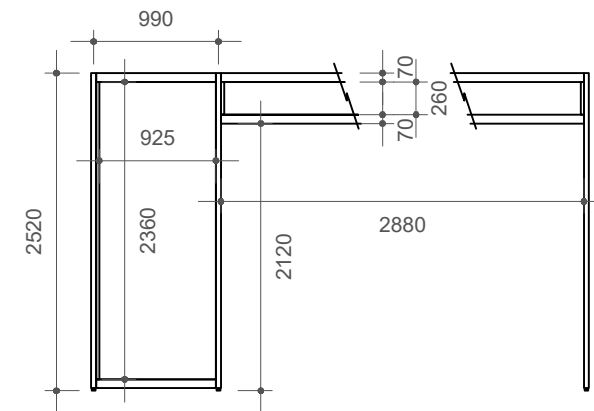
## CONTACT GIELISSEN FOR:

- \* Stand necessities: electricity & lighting, furniture, signage, audio-video, shell scheme additional, floor covering, raised floor, water, floral decoration, photography
- \* Position of nearest service ducts
- \* Complete stand packages

- Submit Grid Form on Gielissen's Online Contractor Manual -

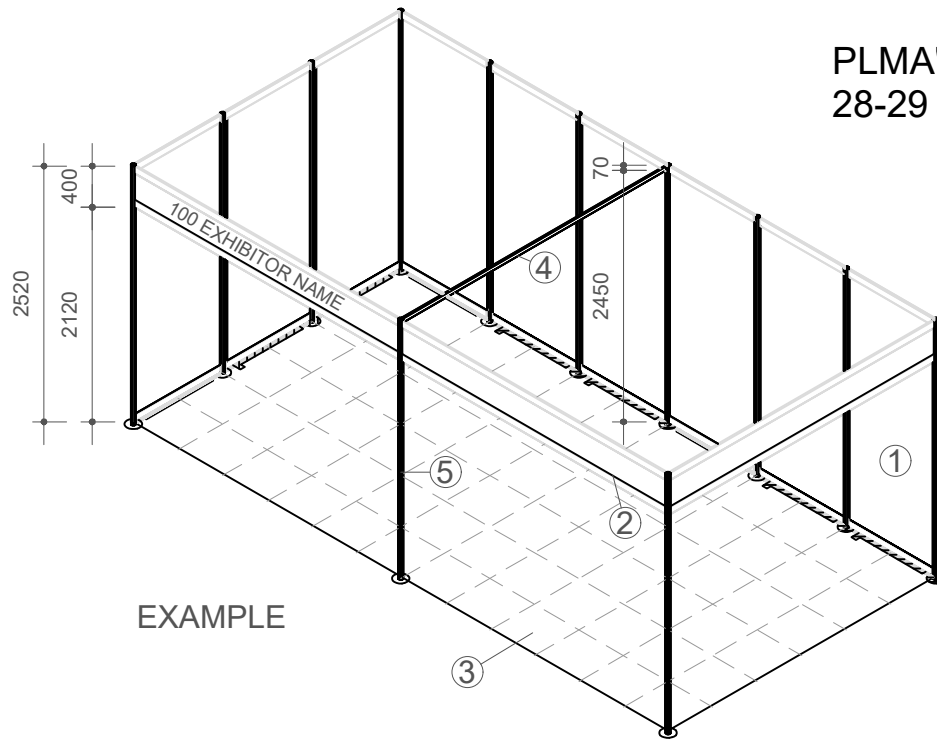


TOP VIEW / SPACE MEASUREMENTS

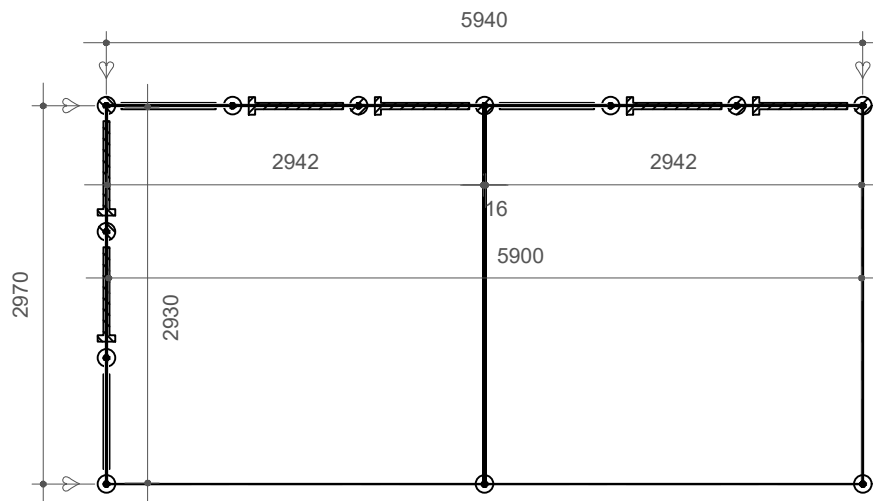


WALL AND FASCIA

# PLMA's World of Private Label 28-29 May 2024



EXAMPLE



TOP VIEW / SPACE MEASUREMENTS

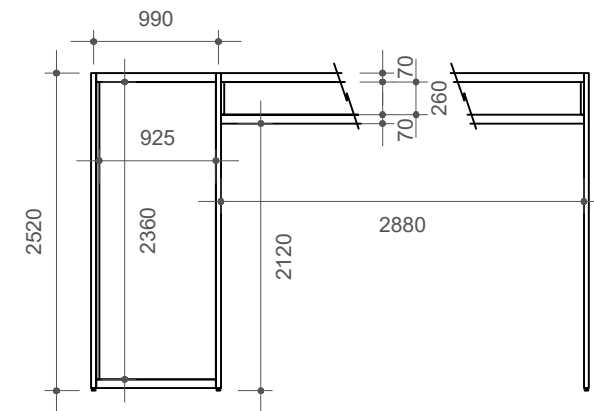
## SHELL SCHEME STAND EXAMPLE 2-Unit, 3x6 mtr. corner stand (two sides open)

- ① White walls, separating exhibitors
- ② Fascia, showing exhibitor name (as listed in the official trade show catalogue) and stand number
- ③ Grey carpet tiles
- ④ Ceiling plinth
- ⑤ Pole

- Submit Shell Stand Form on PLMA's Exhibitor portal -

## CONTACT GIELISSEN FOR:

- \* Stand necessities: electricity & lighting, furniture, signage, audio-video, shell scheme additional, floor covering, raised floor, water, floral decoration, photography
  - \* Position of nearest service ducts
  - \* Complete stand packages
- Submit Grid Form on Gielissen's Online Contractor Manual -



WALL AND FASCIA